

VBOX-3611-IP65

Taiwan Patent No. M447854, M448011

6th Generation Intel® Core™ i7-6600U CPU with HD 520 GPU IP65 In-Vehicle Computer

Features

- Intel® Core™ i7-6600U
- Wireless Support LTE, WLAN, GPS, Bluetooth(Optional)
- 9V - 48V DC Power Input
- Smarter Vehicle Power Ignition for Variety Vehicle
- 4 x DI / 4 x DO with Relay 5V / 100mA
- 2 x Analog Input (0-48V)
- IP65 Level for Water and Dust Proof



POE



GPS



Wireless



Wide Range



Delay Time

Introduction

The VBOX-3611-IP65 is powered by 6th Generation Intel® Core™ i7-6600U CPU In-Vehicle Computer. With CE, FCC Class A and E-13 certifications, the VBOX-3611-IP65 is designed and manufactured to withstand dust, moisture, and temperature changes. With Intel Gen6 Core i7-6600U CPU and HD 520 GPU, the waterproof, dustproof, snowproof VBOX-3611-IP65 can effectively support vehicles in bad weather and extreme working conditions, such as snowplow, complex excavator and stacker operations. The strong environmental tolerance continually maintains a wide range of operating temperature (-40 ~ 70 °C). With VBOX-3611-IP65, all related vehicles can be powered and easily connected for remote and real-time management.

Specifications

System	
CPU	Intel Gen6 Core i7-6600U 2.6GHz up to 3.4GHz
	Intel Gen6 Core i5-6300U 2.4GHz up to 3.0GHz
	Intel Gen6 Core i3-6100U 2.3GHz
	Intel Gen6 Dual Core 3955U 2.0GHz
Memory	2 x DDR4 2133 MHz SO-DIMM up to 32GB
LAN Chipset	1 x Intel I219LM (support iAMT for i5, i7 only) Gigabit Ethernet 3 x Intel I210-AT Gb/s Ethernet Controllers Onboard Support PXE and WOL
Watchdog	Watchdog Timer Support, Offer 1 – 255 Step
TPM	2.0
I/O	
Serial Port	2 x RS-232/422/485 (optional max. 4 x RS-232/422/485)
USB Port	4 x USB 2.0 Ports on Front I/O
LAN	4 x M12 A-Code for GbE (3 ports with PoE 802.3af)
Video Port	1 x DVI-I *
DIO Port	4 in and 4 out with Relay 5V / 100mA
AIO Port	2 x Analog Input (Voltage range 0~48VDC, accuracy ±500 mV)
SIM Card Socket	2 x SIM Card Sockets Supported Onboard
Expansion Bus	3 x Mini-Card Slots and 1 x M.2 A-E Key 2230 slot * Use only with Single Link DVI Cables.
Graphics	
Graphics	Intel® HD Graphics 520 DirectX Video Acceleration (DXVA) for Accelerating Video Processing - Full AVC/VC1/MPEG2 HW Decode Supports DirectX 11/10.1/10/9 and OpenGL 4.0
Resolution	Up to 2560 x 1600 @85Hz

Software

Operating System Win 10, Ubuntu 16.04 64bit

Environmental

Operating Temp.	-40°C ~ 70°C, ambient w/ 0.6m/s airflow Patent No. : M448011 - Thermal Cooling
Storage Temp.	-40°C ~ 80°C
Relative Humidity	10% RH – 90% RH (non-condensing)
IP Rating	IP65
Vibration (with SSD)	IEC60068-2-64, random, 2.5G@5~500Hz, 1hr/axis MIL-STD-810G, Method 514.6, Procedure I, Cat.4, Operating
Shock	Operating: MIL-STD-810G, Method 516.6, Procedure I, Trucks and semi-trailers=15G (11ms) with SSD
Certifications	CE, FCC Class A, E-13, EN50155, EN45545-2 (R25)

Storage

Type	1 x 2.5" Drive Bay for SATA Type Hard Disk Drive / SSD 1 x M.2 M key 2280 slot supports SATA SSD
------	---

Power Requirement

Power Input	9V - 48V DC Power Input
Power Protection	Automatics Recovery Short Circuit Protection
Power Mgmt.	Vehicle Power Ignition for Variety Vehicle
Battery (UPS)	Internal Battery Kit for 10 Mins Operating (Optional) *UPS backup time varies depending on actual overall system power consumption. Patent No. : M447854 - Build-in Battery

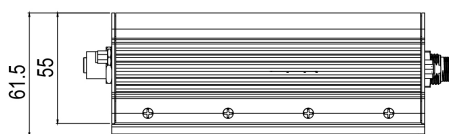
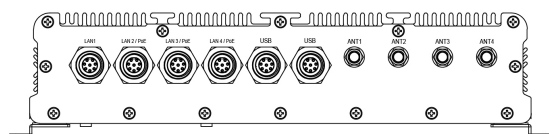
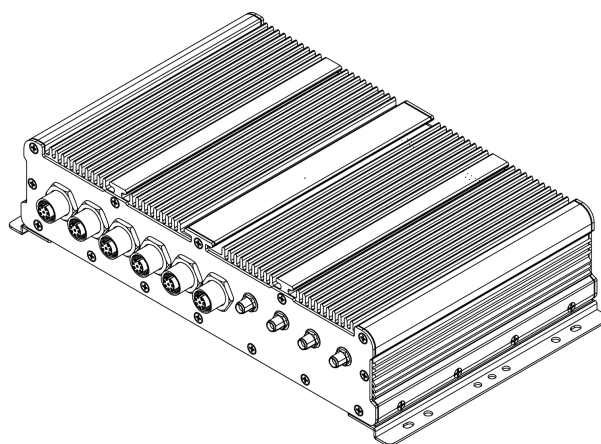
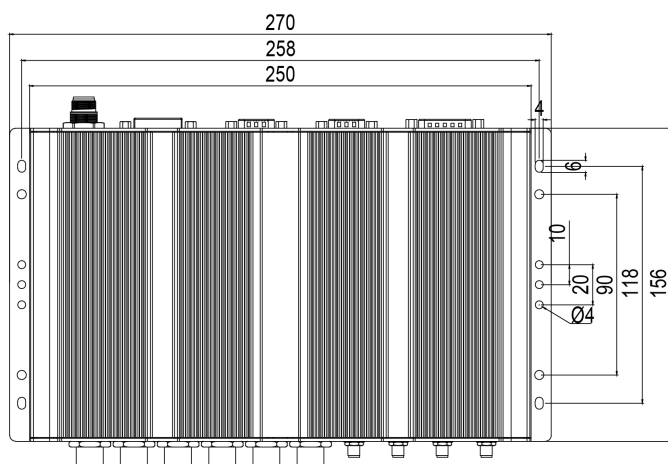
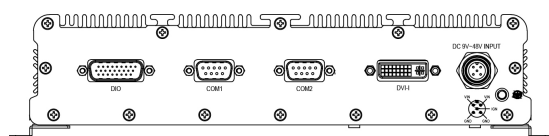
Mechanical

Construction	Aluminum Alloy
Mounting	Supports Both of Wall-mount/VESA-mount
Weight	1980 g (Barebone)
Dimensions	250 x 155 x 55 mm

All specifications are subject to change without notice.

Dimensions

Unit : mm



Ordering Information

Part Number	VBOX-3611-IP65-i7, option for i5/i3/C1
Description	Intel Gen6 Core i7-6600U CPU with HD 520 GPU IP65 In-Vehicle Computer
State of Origin	Made in Taiwan

Optional Accessories

DRAM	SO-DIMM max.DDR4-2133,4GB~32GB,0~70°C/-40~85°C
SATA SSD	2.5inch MLC/TLC 64GB~1TB 0~70°C/-40~85°C
M.2 SATA SSD	M.2 M key TLC -40~85°C, 2280 64GB~1TB / 2242 64GB~512GB
Wifi	M.2 A-E key 2230, 802.3a/b/g/n/ac
Modem	LTE miniPCle card
GPS	GPS miniPCle card
CANBUS	CANBUS miniPCle card
Battery backup kit	BAT-3000-IP65 kit, 1150mAH 3S1P Battery kit (-30~60°C)

All specifications are subject to change without notice.